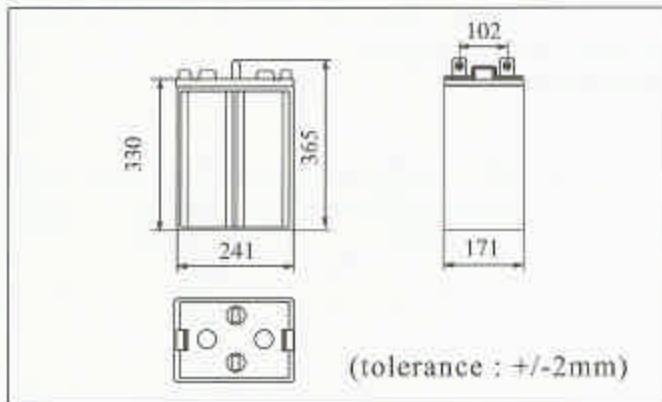


Major Application(s): Telecommunication system etc.

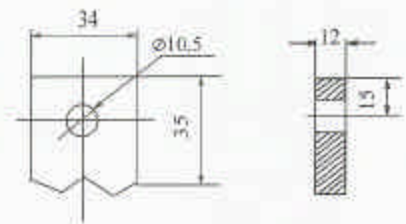


PHYSICAL SPECIFICATION

Nominal Voltage		2V
Nominal Capacity(10HR)		400AH
Dimension	Length	241±2mm (9.49inches)
	Width	171±2mm (6.73inches)
	Container Height	330±2mm (13.0inches)
	Total Height	365±2mm (14.4inches)
Weight		Approx 30.Kg (66.1 lbs)
Standard Terminal		B3(Bolt-and-nut lead Terminal) Bolt Type: M10



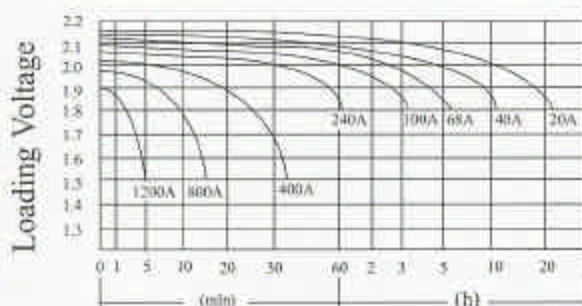
B3 (Bolt-and-nut lead terminal)
Bolt Type: M10



ELECTRICAL SPECIFICATION

Capacity	20 hour rate(20A)	420Ah	It is recommended to use constant-voltage charge and recharge immediately after use
	10 hour rate(40A)	400Ah	
Capacity affected by temperature	5 hour rate(68A)	340Ah	Constant-Voltage Charge
	3 hour rate(100A)	300Ah	
	1hour rate(240A)	240Ah	Initial Charging Current less than 60A Voltage 14.1V-14.4V at 25°C (77°F) Temperature Coefficient -18mV/°C
	40 °C (104°F)	102%	Standby
25 °C (77°F)	100%	No limit on Initial Charging Current Voltage 13.5V-13.8V at 25°C (77°F) Temperature Coefficient -18mV/°C	
0 °C (32°F)	85%		
Internal Resistance	Fully charged battery(25 °C, 77°F)1.5mΩ		

Discharge Characteristics(25°C, 77°F)



Discharge Current & Discharge Duration Time

